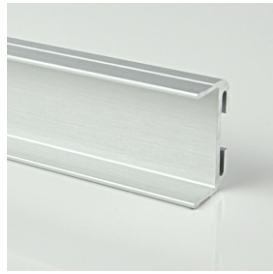
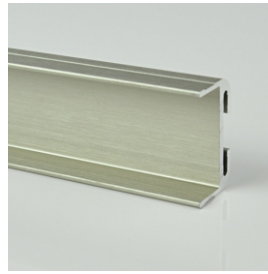


Shadowline Handle



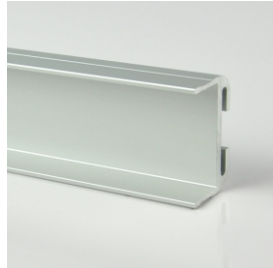
silver brushed anodized



nickel brushed anodized



black brushed anodized



Clear anodized

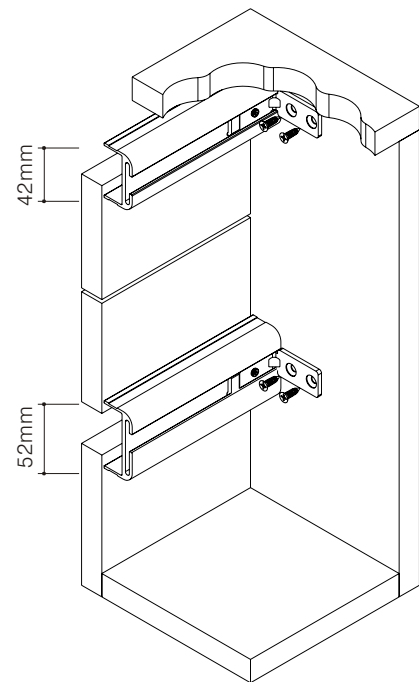
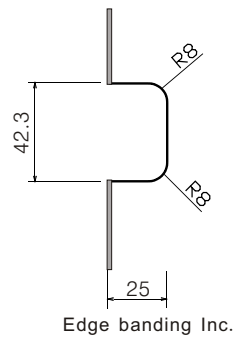
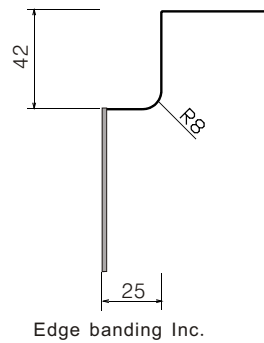


white powder coated



black powder coated

42mm Shadowline Notch Details:



Cat No.	Length (mm)	Finish
2110. 38. 042	3700*	clear anodized
2110. 37. 042	3700*	silver brushed anodized
2110. 36. 042	3700*	black brushed anodized
2110. 35. 042	3700*	nickel brushed anodized
2110. 31. 042	3700*	white powder coated
2110. 30. 042	3700*	black powder coated

Packing: 1set

* Usable length 3630~3670mm

Dimensional Data not binding.
We reserve the right to alter specifications without notice.