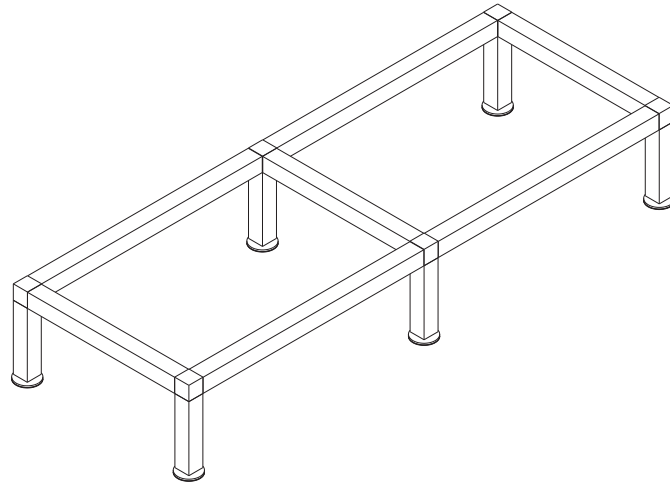


Cabinet Frame



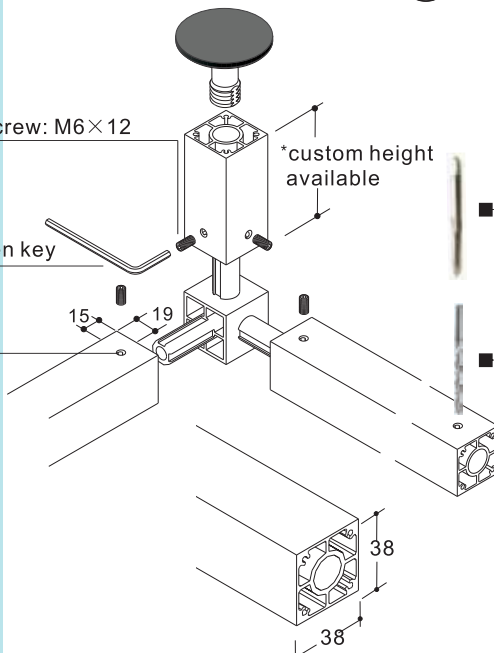
Cat No.
0606.57.012

Screw: M6×12

Cat No.
0160.56.004

Allen key

Drilling
M6×18



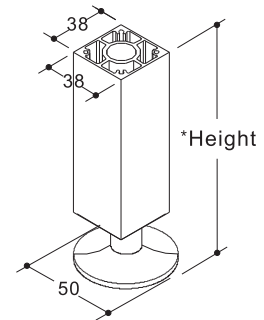
*custom height available

M6 Tap

Cat No.
0160.57.008

Drill

Cat No.
0160.57.006



Aluminium Section

silver colour, anodized

Cat No.	Length (mm)
1260.38.038	2500*

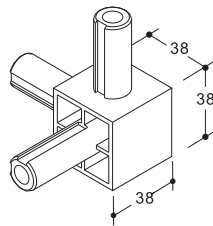
* Usable length 2430~2470mm

Adjustable Leg

Table: aluminium, silver anodized
Foot: zinc alloy, chrome-plated, matt

Cat No.	Height	Adjustable Range
1260.38.300	262	-10 +10

Packing: 1 and 20 pieces

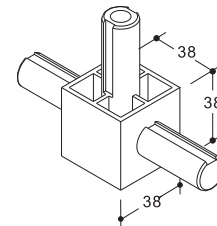


Corner Connector

zinc alloy, chrome-plated, matt

Cat No.	1260.43.001
---------	-------------

Packing: 1 and 4 pieces



Middle Connector

zinc alloy, chrome-plated, matt

Cat No.	1260.43.002
---------	-------------

Packing: 1 and 4 pieces

Dimensional Data not binding.
We reserve the right to alter specifications without notice.