

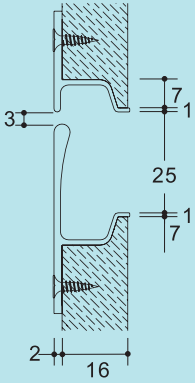
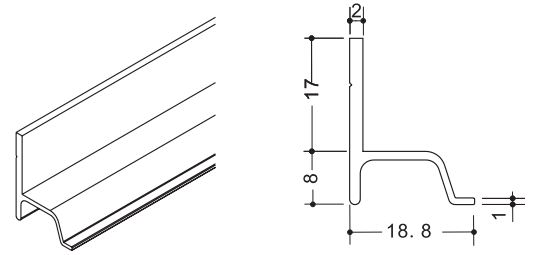
Profile Handles

Thinline U Shape Mounted With Screws

aluminium, anodized

Cat No.	Length (mm)	Finish
2469. 39. 008	2500*	black anodized
2469. 38. 008	2500*	clear anodized

Packing: 20Pcs per carton



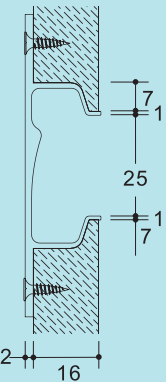
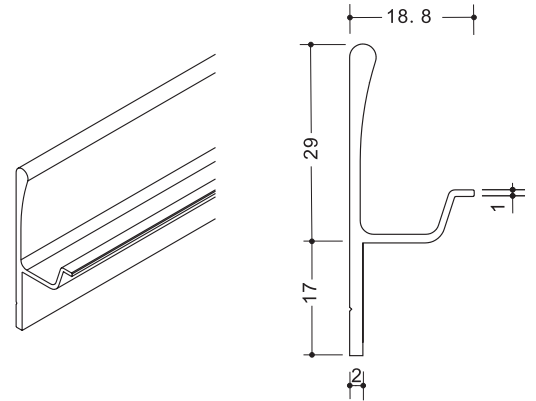
16mm Board

Thinline L Shape Mounted With Screws

aluminium, anodized

Cat No.	Length (mm)	Finish
2469. 39. 029	2500*	black anodized
2469. 38. 029	2500*	clear anodized

Packing: 20Pcs per carton



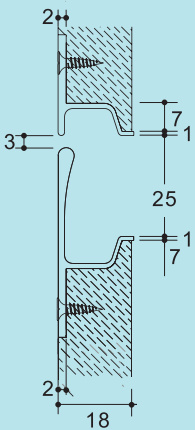
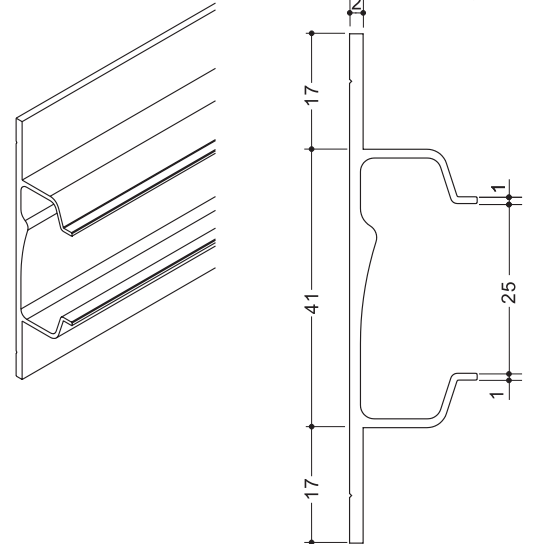
16mm Board

Thinline C Shape Mounted With Screws

aluminium, anodized

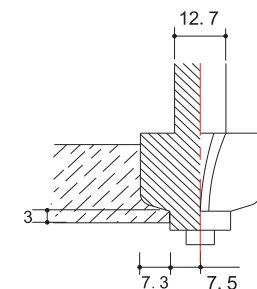
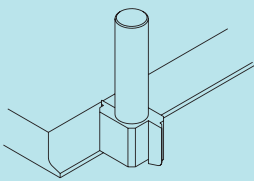
Cat No.	Length (mm)	Finish
2469. 39. 041	2500*	black anodized
2469. 38. 041	2500*	clear anodized

Packing: 10Pcs per carton



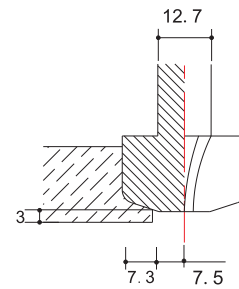
18mm Board

Router Bit



Slimline bit 1/2"Shank with bearing

Cat No.	0151.15.029
---------	-------------



Slimline bit 1/2"Shank no bearing for CNC

Cat No.	0151.00.029
---------	-------------

Dimensional Data not binding.
We reserve the right to alter specifications without notice.

* Usable length 2430~2470mm