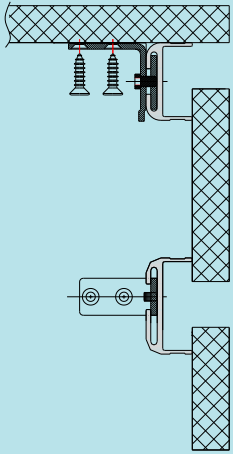


Shadowline Handle Free Solutions



silver brushed anodized



nickel brushed anodized



black brushed anodized



Clear anodized

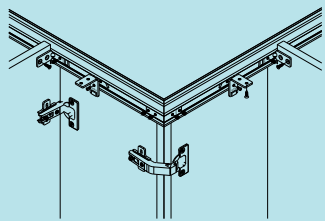
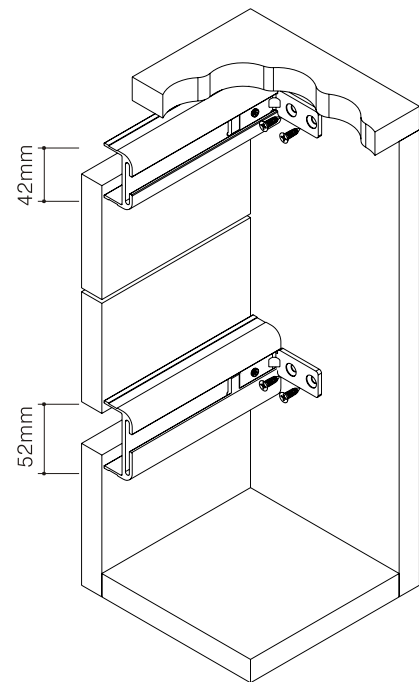
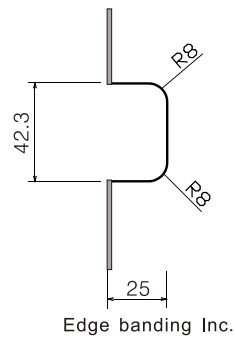
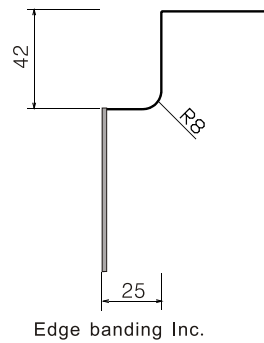


white powder coated



black powder coated

42mm Shadowline Notch Details



Dimensional Data not binding.
We reserve the right to alter specifications without notice.

Cat No.	Length (mm)	Finish
2110. 38. 042	3700*	clear anodized
2110. 37. 042	3700*	silver brushed anodized
2110. 36. 042	3700*	black brushed anodized
2110. 35. 042	3700*	nickel brushed anodized
2110. 31. 042	3700*	white powder coated
2110. 30. 042	3700*	black powder coated

Packing: 1set

* Usable length 3630~3670mm