

# Shadowline Handle



silver brushed anodized



nickel brushed anodized



black brushed anodized



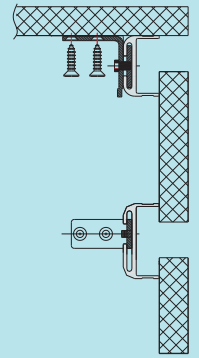
Clear anodized



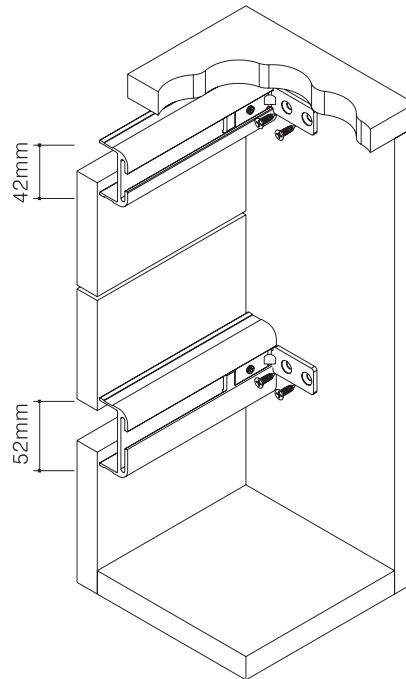
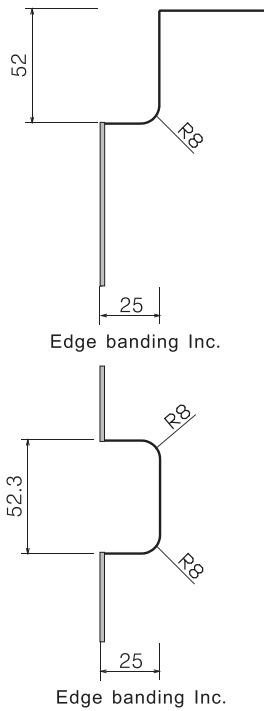
white powder coated



black powder coated



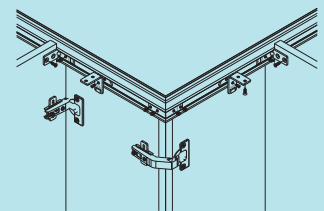
## 52mm Shadowline Notch Details:



Cat No.	Length (mm)	Finish
2110. 38. 052	3700*	clear anodized
2110. 37. 052	3700*	silver brushed anodized
2110. 36. 052	3700*	black brushed anodized
2110. 35. 052	3700*	nickel brushed anodized
2110. 31. 052	3700*	white powder coated
2110. 30. 052	3700*	black powder coated

Packing: 4pcs

\*Usable length 3630~3670mm



Dimensional Data not binding.  
We reserve the right to alter specifications without notice.