

# Soft Down Stay

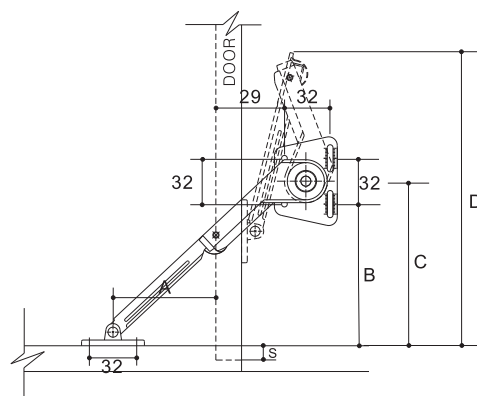
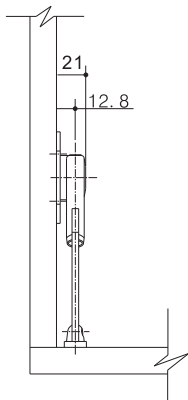
## Soft Down Stay

for use with downward-opening flaps, flap 90°  
zinc alloy, steel, bright nickel



Cat No.	Direction
8321.46.001	left
8321.46.002	right

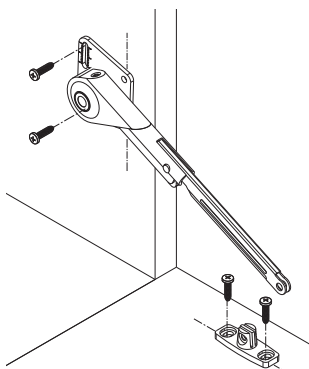
Packing: 1 and 20 pieces



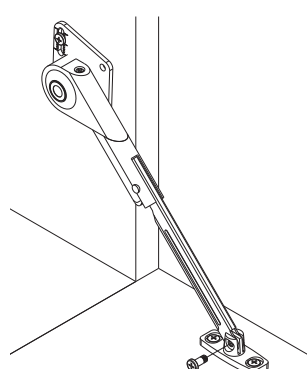
	A	B	C	D
Drop Hinge	97	106-S	122-S	211-S
Single Knuckle Hinge	90	99	115	204

**note:** "s" dimension is the overlay distance for drop hinge(s)

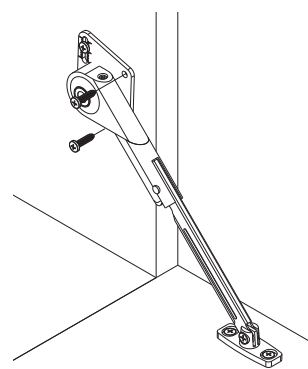
## Fixing Method:



Step 1



Step 2



Step 3

Dimensional Data not binding.  
We reserve the right to alter specifications without notice.